

PRODUCT: RADIUS ARM SKID PLATE

APPLICATION: INEOS GRENADIER (2023-Present)

PART NO: 2333.4503.1.6



## CAUTION!

To reduce the risk of serious injury or damage to property: Before you start installing and using this product, read the full instructions, pay special attention to the conditions of safe use and recommendations for installation! When installing or maintaining this product, it is necessary to use protective goggles. Check the integrity of the structure and the moment the fastening is tightened every 250 miles (400 kms) of mileage. Do not use this product if there is damage to the structure or fasteners!

## NOTICE

Skid plate is an additional protection, but it can not guarantee to protect against all possible damage in collisions. When driving, be careful of objects and terrain that may damage sensitive parts of the vehicle.

# RIVAL ARM SKID PLATE

**RIVAL**

Part number: 2333.4503.1.6

Suited to vehicle: INEOS GRENADIER (2023-Present), 3.0, 3.0D;  
AT; 4WD

Material: Aluminum



## SAFETY NOTICE

- \* The RIVAL skid plate is designed to complement the use and design of the specified vehicle under conditions specified by the vehicle manufacturer.
- \* While driving the vehicle at any speed, collision with any other vehicle, animal or object must always be avoided.
- \* Following any collision with any other vehicle, animal or object, the RIVAL skid plate and the vehicle must be inspected by a specialized or suitably qualified vehicle repairer for possible damage to the components and assemblies in order to confirm suitability for further use of the vehicle.
- \* It is strongly recommended that you do not operate a vehicle with a damaged skid plate or its components. In the case of damage, please contact the nearest RIVAL dealer. Vehicle, or where the skid plate has been damaged, is extremely dangerous and must be avoided at all cost.

## INSTALLATION NOTICE

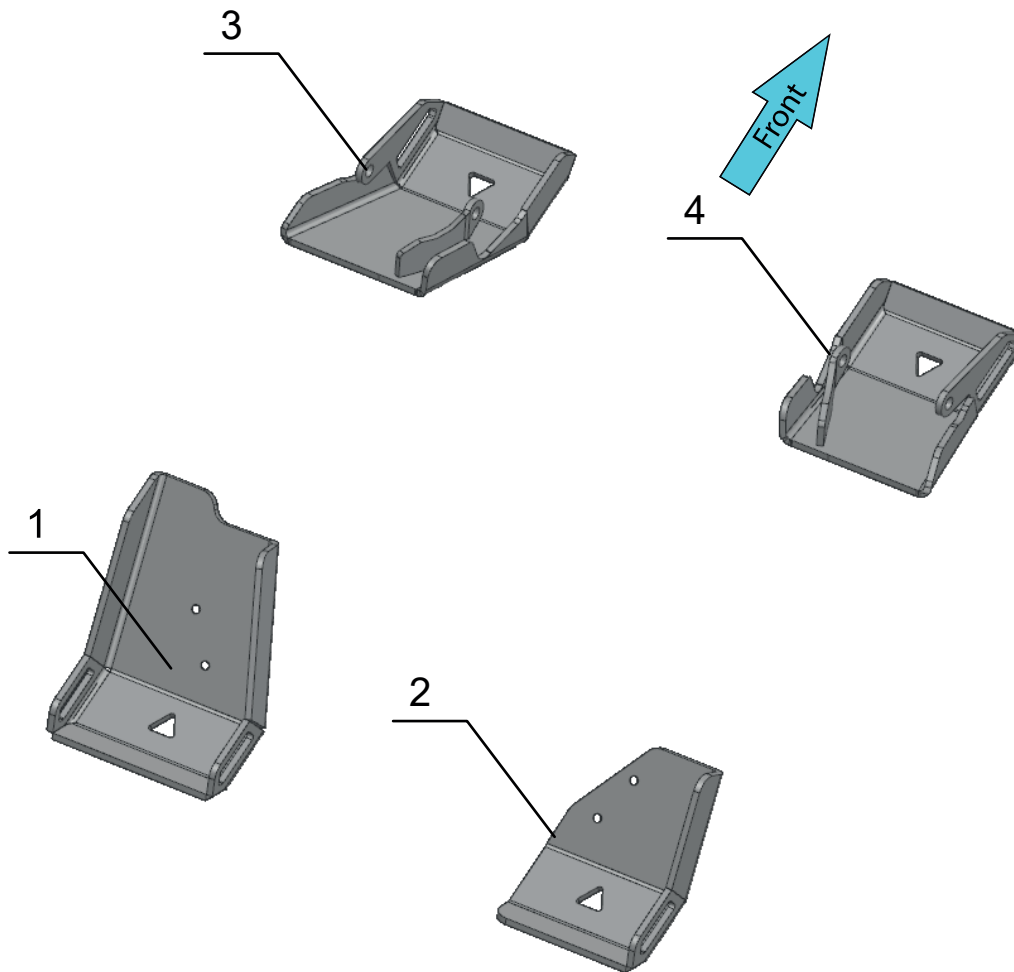
- \* The RIVAL skid plate must be mounted and affixed to the vehicle according to this installation manual.
- \* Personal safety during the installation process must be adhered to at all times.
- \* Do not install this skid plate on vehicle models other than those allowed in this manual.
- \* Estimated time for installation: 1 hour.

## REQUIRED TOOLS

- \* Basic tool kit
- \* Torque wrench

## TORQUE SETTING

- \* M6 - 9 N·m (6.6 lb/ft)
- \* M10 - 30 N·m (22.1 lb/ft)



- 1. Rear radius arm skid plate (left).....Qty 1
- 2. Rear radius arm skid plate (right).....Qty 1
- 3. Front radius arm skid plate (left).....Qty 1
- 4. Front radius arm skid plate (right).....Qty 1



A. Bolt M10x140.....	Qty 2
B. Washer 10.....	Qty 4
C. Nut M10.....	Qty 2
D. Screw M6x20.....	Qty 4



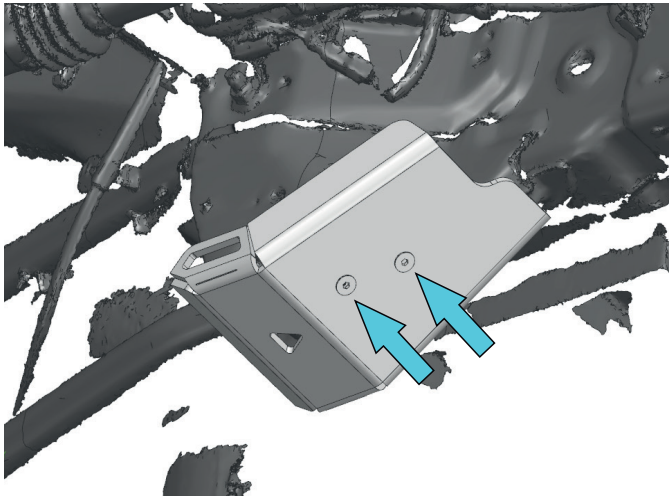


Fig. 1

1. Install the rear arm skid plate (left) (item 1) in factory mounting points using screws M6x20 (item D) (Fig.1).

**\*Tighten hardware after that.**

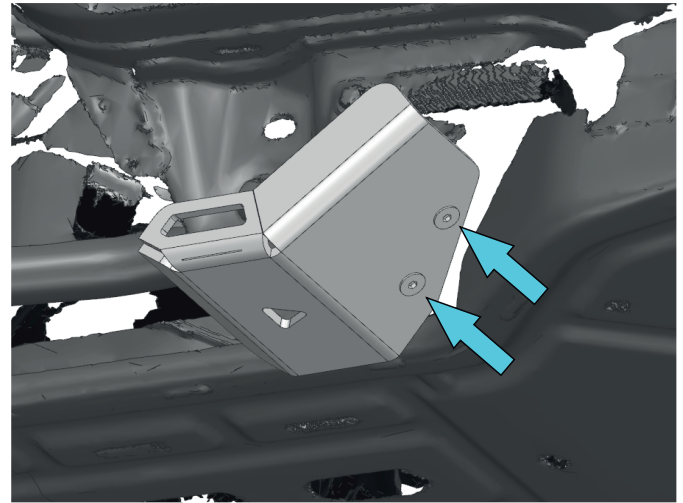


Fig. 2

2. Install the rear arm skid plate (right) (item 2) in factory mounting points using screws M6x20 (item D) (Fig. 2).

**\*Tighten hardware after that.**

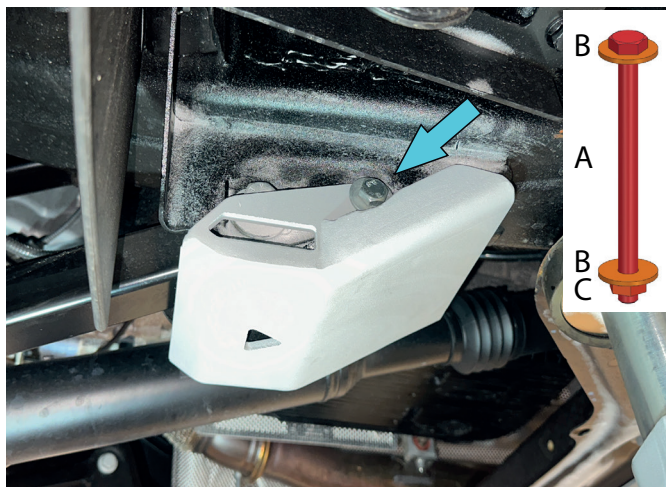


Fig. 3

3. Install the front arm skid plates (right and left) (items 3,4) using bolts M10x140, washers 10 and nuts M10 (items A,B,C) (Fig. 3).

\*If you install with RIVAL engine skid plate, unscrew the beam and remove the spacer from step 3 of the RIVAL engine skid plate installation manual. Install the front arm skid plates (right and left) (items 3,4) with the engine skid plate beam using bolts M10x140, washers 10 and nuts M10 (items A,B,C) (Fig. 4).

**\*Tighten hardware after that.**

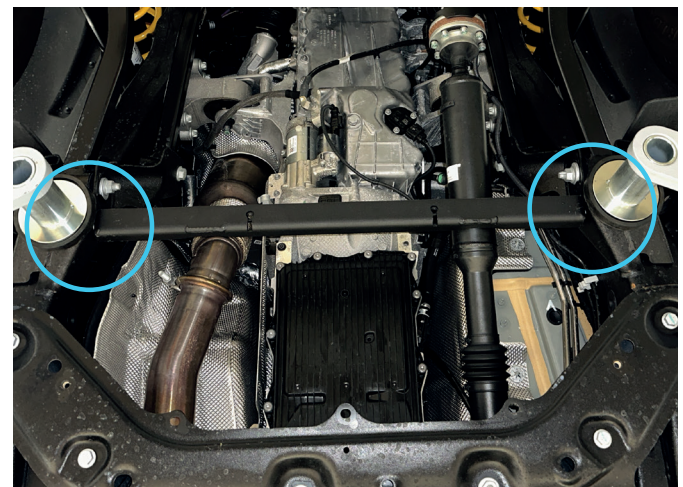


Fig. 4

Before operating a vehicle fitted with RIVAL Skid Plate:

- make sure all fittings are tightened;
- ensure the integrity of the structure and its components.

